

PM2 ■ Projector Ceiling Mount (4 fixing points)



Features

- 1 **UNIVERSAL**
4 fixing points
- 2 **SOLID BUILD**
3 mm thick powder-coated metal sheet
- 3 **TELESCOPIC MOUNT DESIGN**
adjustable from 448 mm to 656 mm



Technical Data



15 Kg



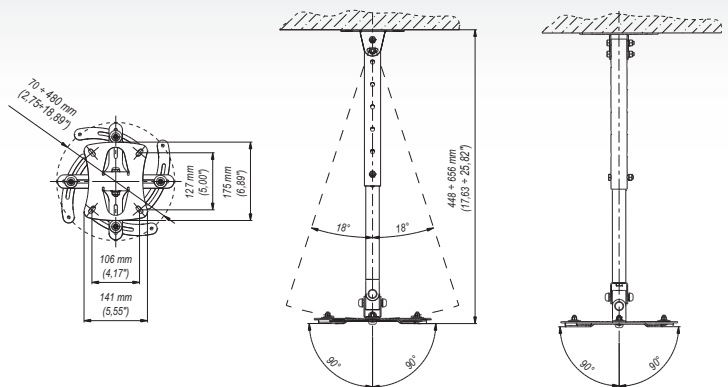
min. 448 mm
max. 656 mm



18°/18°



90°/90°



Accessories

Series PSC



PMA1



Trade Information

Index	Colour	Package	EAN
PM2c-B	■	■	5908252960446
PM2s-B	■	■	5908252960453
PM2w-B	□	■	5908252962211

Package Dimensions [mm] (H x W x D)	550x240x80
Weight [Kg]	3.2